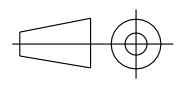
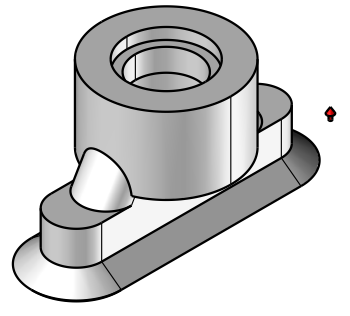
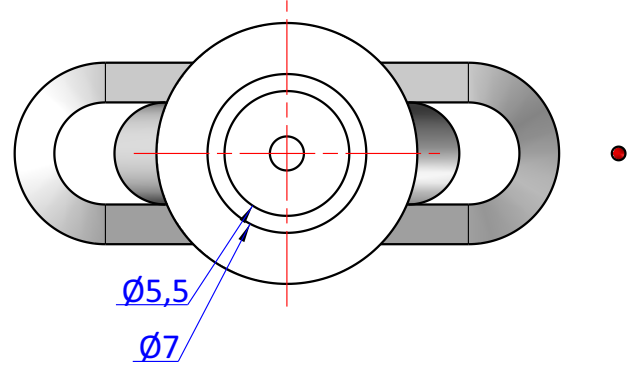
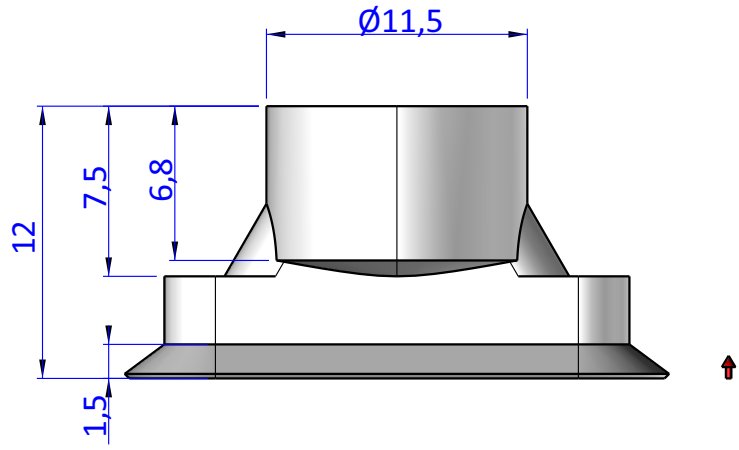
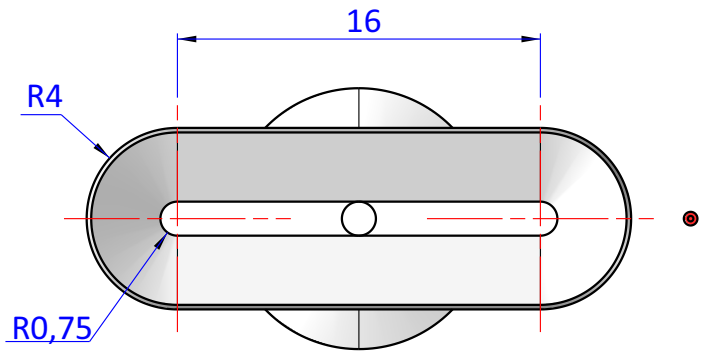


THE PROPERTY OF THE DRAWING IS ESTABLISHED BY LAW. IT IS FORBIDDEN TO PRODUCE OR SHOW IT TO THIRD PART, WITHOUT A WRITTEN AGREEMENT.



DESIGNED FROM <b>FPS Automation</b>		REVIEW <b>A</b>
DATE <b>06/10/2020</b>	WEIGHT <b>0,001kg</b>	
CODE <b>CA.08.40.004</b>		

Format <b>A4</b>
<b>UNI 936-76</b>

GENERAL TOLERANCE UNI - ISO 2768 CLASSE f	DESCRIPTION <b>CA.08.40.004</b>
---	------------------------------------